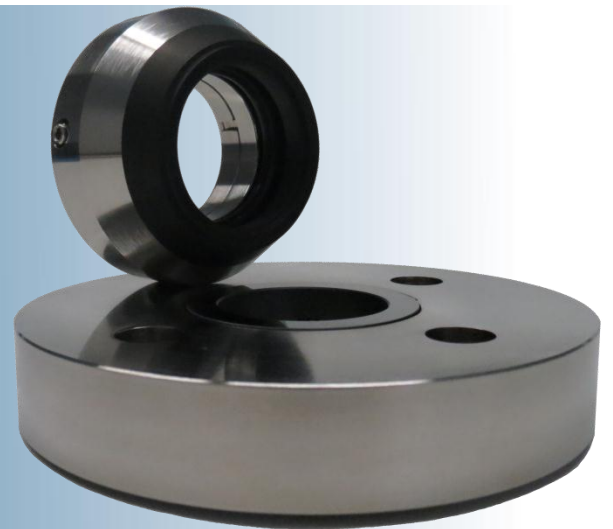


# SRS

## LINEA REACTORES



**SELLO MECÁNICO PARA REACTOR  
SENCILLO**

**TRABAJO EN SECO**

**EFFECTIVO PARA INDUSTRIAS QUIMICA**

**FÁCIL INSTALACION**

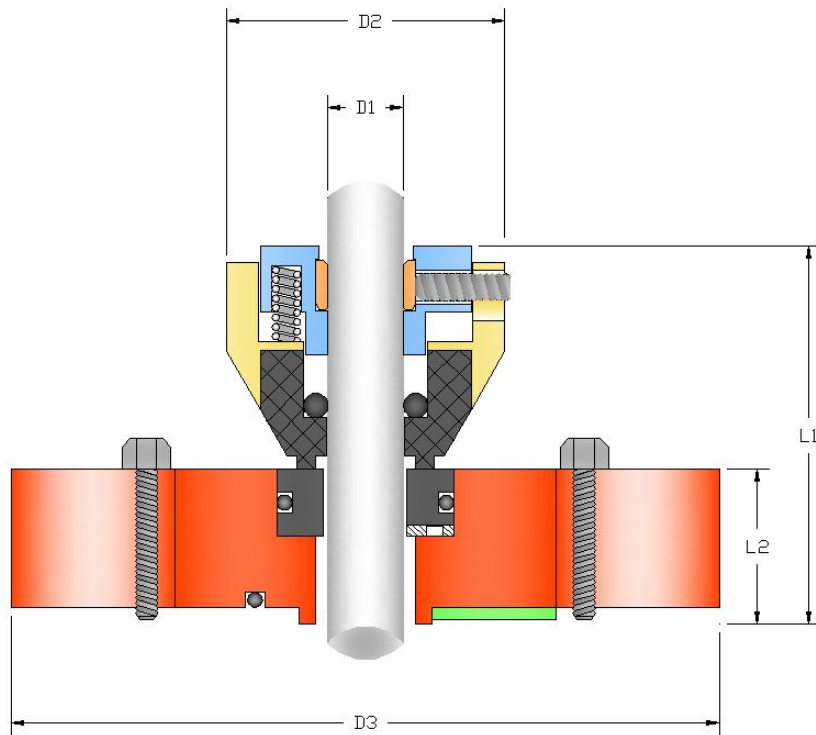
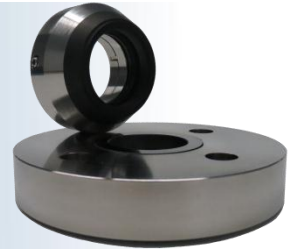
### MATERIALES

**PARTES METALICAS** ACERO INOX 316  
316L

**CARAS** CARBON

**ELASTOMEROS** VITON  
BUNA  
AFLAS  
EPDM  
KALREZ  
ENCAPSULADO

# SRS



| DIMENSIONES |       |       |       |       |
|-------------|-------|-------|-------|-------|
| D1          | D2    | D3    | L1    | L2    |
| 1 1/8       | 2.625 | 5.826 | 2.790 | 1.148 |
| 1 1/4       | 2.750 | 6.023 | 2.790 | 1.148 |
| 1 3/8       | 2.875 | 6.023 | 2.790 | 1.148 |
| 1 1/2       | 3.000 | 6.220 | 2.790 | 1.148 |
| 1 5/8       | 3.125 | 6.220 | 2.790 | 1.148 |
| 1 3/4       | 3.250 | 6.417 | 2.790 | 1.148 |
| 1 7/8       | 3.375 | 7.007 | 2.790 | 1.148 |
| 2           | 3.500 | 7.007 | 2.790 | 1.148 |
| 2 1/8       | 3.625 | 7.204 | 2.790 | 1.148 |
| 2 1/4       | 3.750 | 7.204 | 2.790 | 1.148 |
| 2 3/8       | 3.875 | 7.401 | 2.790 | 1.148 |
| 2 1/2       | 4.000 | 7.598 | 2.790 | 1.148 |
| 2 5/8       | 4.125 | 7.598 | 2.790 | 1.148 |
| 2 3/4       | 4.250 | 7.795 | 2.790 | 1.148 |
| 2 7/8       | 4.375 | 7.992 | 2.790 | 1.148 |
| 3           | 4.500 | 7.992 | 2.790 | 1.148 |

| LIMITES DE OPERACION |            |         |            |
|----------------------|------------|---------|------------|
| PRESION              | 0          | 20 BAR  | 40         |
|                      | 0          | 300 PSI | 500        |
| TEMP                 | -20°       | 150° C  | 200°       |
|                      | -4°        | 302° F  | 400°       |
| VELOCIDAD            | Vg = 2 M/S |         | AXIAL      |
|                      |            |         | + - 1.5 mm |
|                      |            |         | + - 0.04   |